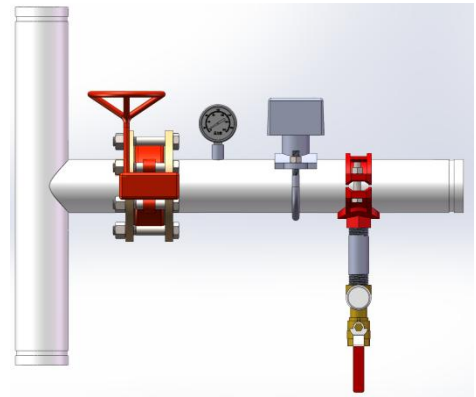


type T:

Description

The Zone Control Valve is installed outside the designated protected area to achieve precise partition control. It can quickly shut off water sources and play a key role in emergency situations. It also facilitates maintenance and reduces water damage.



Characteristics

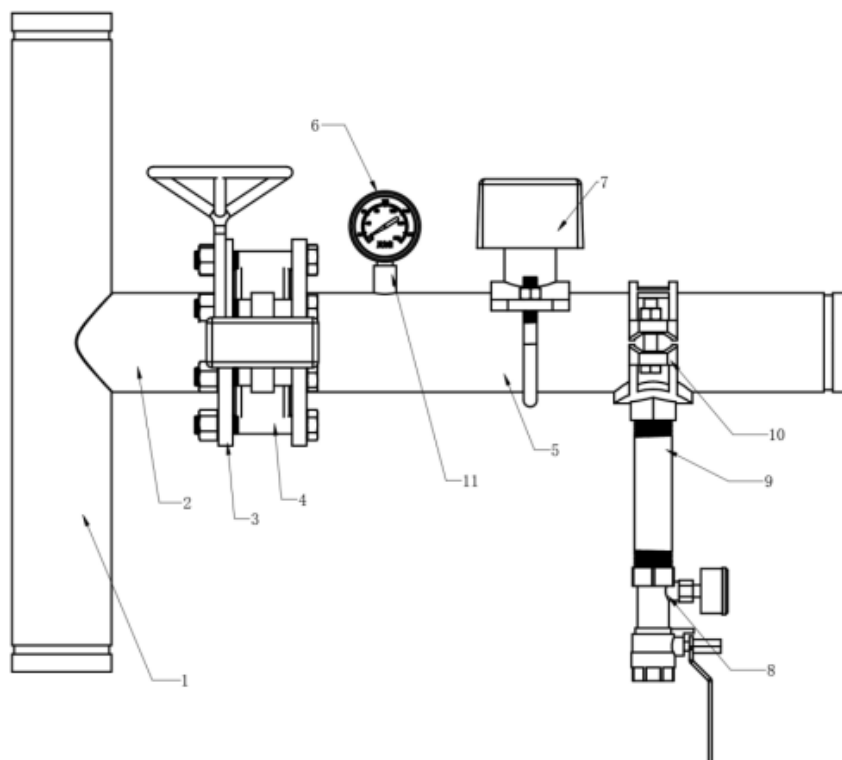
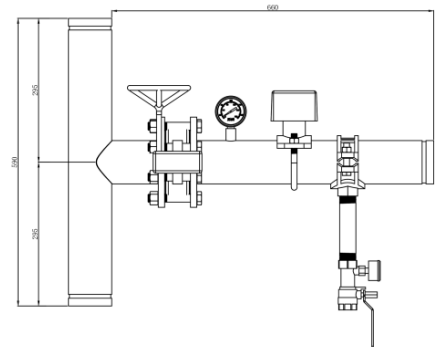
√Hand-operated

√Detectable

√Precision positioning

√Quickly turn off/on the water source

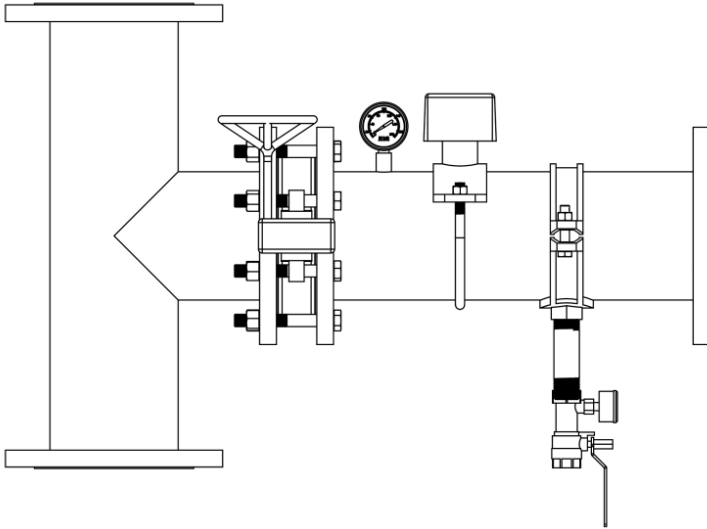
Dimensions (mm)



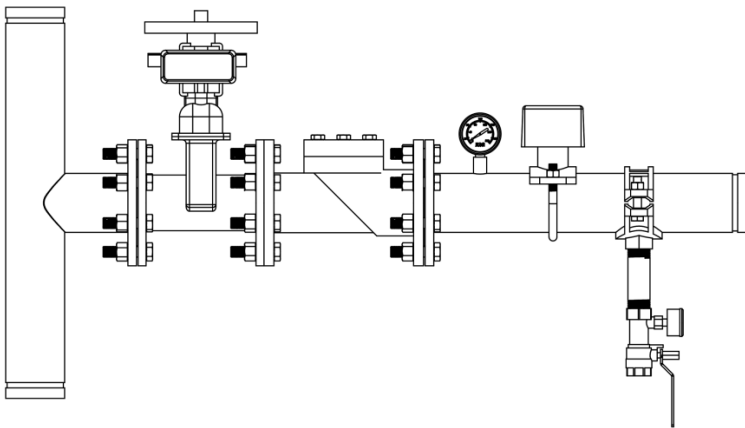
Common Configuration	
No.	Name
1	Seamless pipe
2	Seamless pipe
3	Flange
4	Signal butterfly valve
5	Seamless pipe
6	Pressure gage
7	Water flow indicator(saddle)
8	End water-test equipment
9	Seamless pipe
10	Mechanical tee
11	Endofilament direct

Model		
No.	Model	Pipe diameter
1	AW-ZCV50	DN50
2	AW-ZCV65	DN65
3	AW-ZCV80	DN80
4	AW-ZCV100	DN100
5	AW-ZCV125	DN125
6	AW-ZCV150	DN150
7	AW-ZCV200	DN200
8	AW-ZCV250	DN250
9	AW-ZCV300	DN300

Extended Type



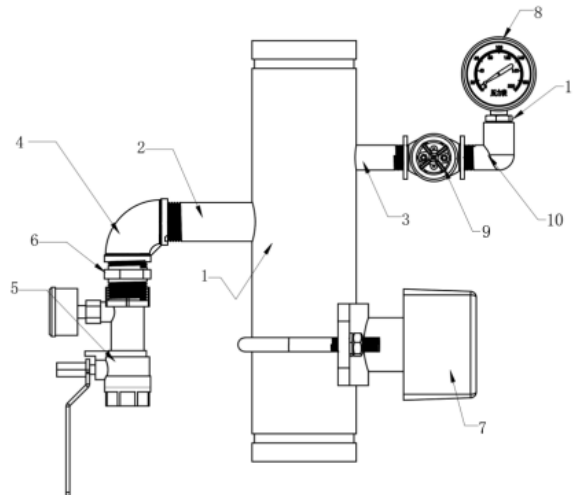
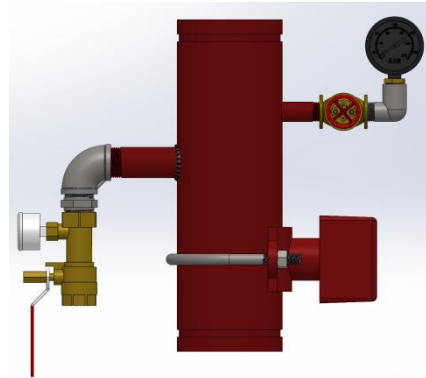
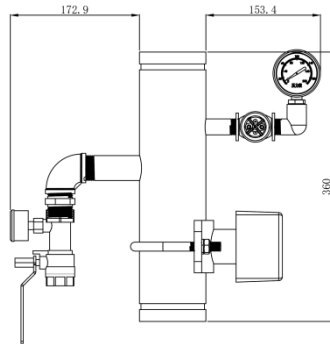
Covert the grooved connection to a welded flange.



Add rising stem gate valves, check valves and supervisory switches.

Type A:

Dimensions (mm)

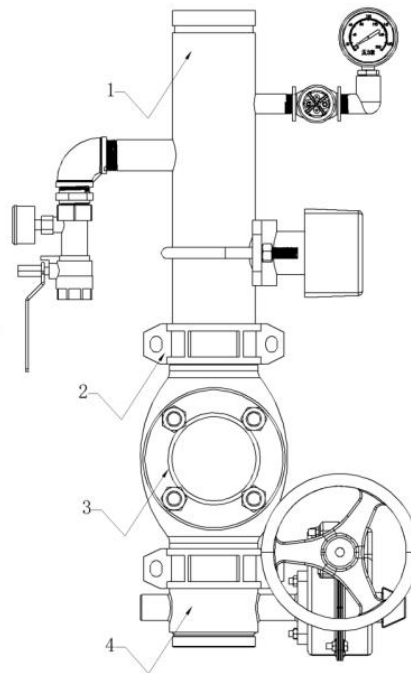


Common Configuration

No.	Name
1	Seamless pipe
2	Seamless pipe
3	Seamless pipe
4	Galvanized elbow
5	End water-test equipment
6	Hex male thread
7	Water flow indicator(saddle)
8	Pressure gage
9	Brass threaded gate valve
10	90-degree female and male threaded elbow
11	Pressure gauge adapter

model		
No.	Model	Pipe diameter
1	AW-ZCV50-A	DN50
2	AW-ZCV65-A	DN65
3	AW-ZCV80-A	DN80
4	AW-ZCV100-A	DN100
5	AW-ZCV125-A	DN125
6	AW-ZCV150-A	DN150
7	AW-ZCV200-A	DN200
8	AW-ZCV250-A	DN250
9	AW-ZCV300-A	DN300

Type B: composed of type A with several added components



Common Configuration	
No.	Name
1	Type A
2	Grooved clamp
3	Grooved rubber flap check valve
4	Grooved signal butterfly valve

model		
No.	Model	Pipe diameter
1	AW-ZCV50-B	DN50
2	AW-ZCV65-B	DN65
3	AW-ZCV80-B	DN80
4	AW-ZCV100-B	DN100
5	AW-ZCV125-B	DN125
6	AW-ZCV150-B	DN150
7	AW-ZCV200-B	DN200
8	AW-ZCV250-B	DN250
9	AW-ZCV300-B	DN300