

## Description

AW-FMPG pressure gauge for FM200 is used to measure the pressure of liquids, gases and other media that are not corrosive to copper and copper alloys.

This pressure gauge has stainless steel fully sealed structure, which has good waterproof and anti-corrosion effect. this integral structure design has stable and reliable performance.

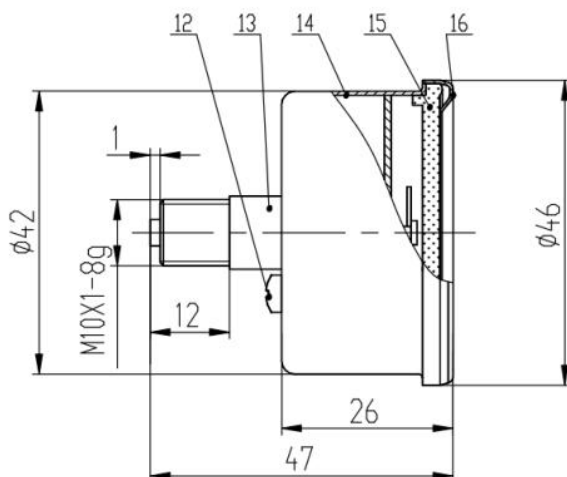


## Technical Specification

<b>Measuring Range</b>	Minimum 0.1MPa, maximum 100MPa
<b>Indication Accuracy</b>	±2.5%
<b>Working Environment</b>	Temperature: -25℃~+55℃ Relative Humidity: ≤ 85%
<b>Shell Material</b>	304.SS
<b>Wetted Material</b>	HPb59-1
<b>Connection Size</b>	M10*1
<b>Dimensions</b>	∅ 46*45
<b>Vibration Class</b>	V.H.2
<b>Executive Standard</b>	GB/T1226-2010, GB25972-2010

Measured Medium	Installation Type	Accuracy Class	Storage Pressure (MPa)	Working Pressure Range (MPa)	Measure Range (MPa)	Connector Thread
227ea	Axial	2.5	2.5	2-2.5-4.2	0~5MPa	M10*1
	Axial	2.5	4.2	3.6-4.2-5.3	0~8MPa	M10*1
	Axial	2.5	4.2	3.6-4.2-6.7	0~8MPa	M10*1
	Axial	2.5	5.6	4.6-5.6-8	0~12MPa	M10*1

## Dimensions



- 12 - Screw
- 13 - Joint
- 14 - Case
- 15 - Glass Cover
- 16 - Cover