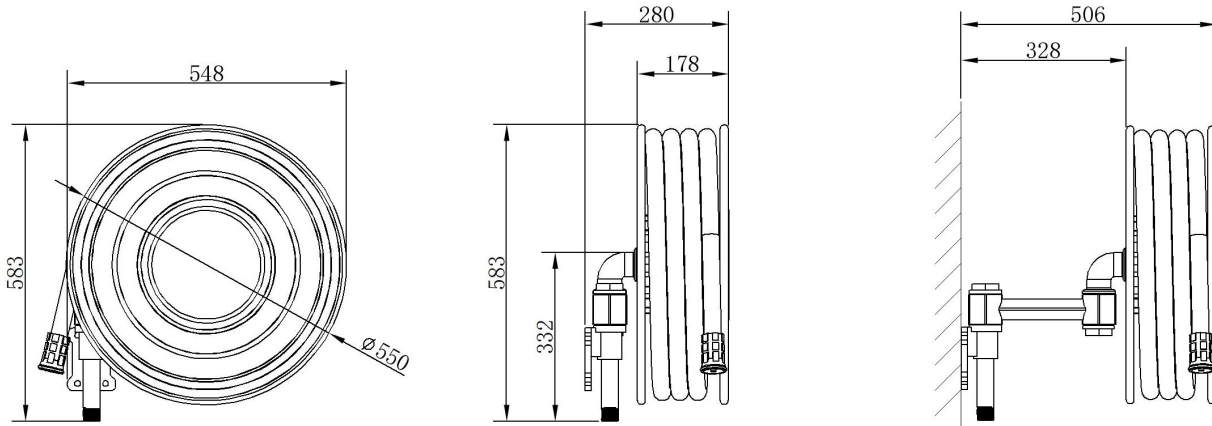


Fire Hose Reel
The AW-FHR Fire Hose Reel



Technical Specification	
Material	High quality cold rolled mild steel
Length	As customer requirements
Size	1"(25mm) or 3/4"(19mm)
Type	Swing manual
Working pressure	12 Bar
Testing Pressure	20 Bar
Working temperature	-10°C~+50°C
Jetting Ranger	≥10m
Flow	≥24 L/min
Testing	100% hydraulic tested avoid leakage