

## Description

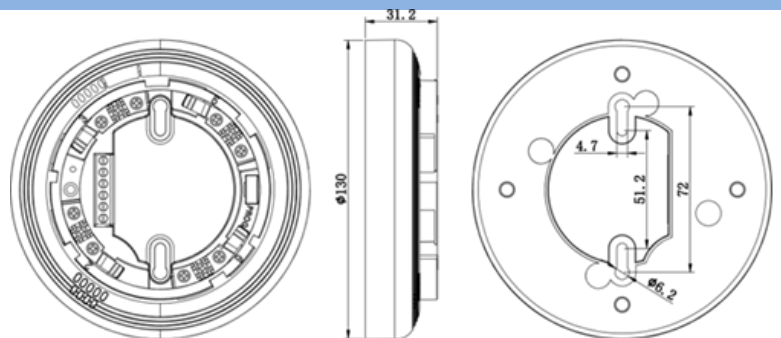
AW-D115 isolator base (hereinafter referred to as AW-D115), mainly used to isolate a short circuit on the detector, other devices on the bus to ensure normal operation. Upon elimination of the short circuit fault, AW-D115 can be isolated out their own part back into the system.



## Features

- ✓ Automatically resetting once the fault has cleared
- ✓ LED lights indicate status
- ✓ In the event of a short circuit isolates faulty parts of the loop
- ✓ Meets all requirements of latest EN54 part 17

## Dimensions (mm)



## Technical Specification

Model	AW-D115
Nominal Line Voltage ( V <sub>NOM</sub> )	24V
Standby Current	<5mA
Maximum Line Voltage ( V <sub>MAX</sub> )	28V
Minimum Line Voltage ( V <sub>MIN</sub> )	16V
Maximum rated continuous current with the switch closed ( I <sub>C MAX</sub> )	1A
Maximum rated switching current ( I <sub>S MAX</sub> )	3A
Maximum leakage current with the switch open ( I <sub>L MAX</sub> )	20mA
Maximum series impedance with the switch closed ( Z <sub>C MAX</sub> )	0.15Ω