

AW-D109 is an intelligent alarm bell, which can be configured with Asenware AW-FP100 Series Addressable Fire Alarm Control Panel.

Each point (device) can be given specific ID, when the panel enters fire alarm condition, which allows the panel to give a audible signal to the specific location .

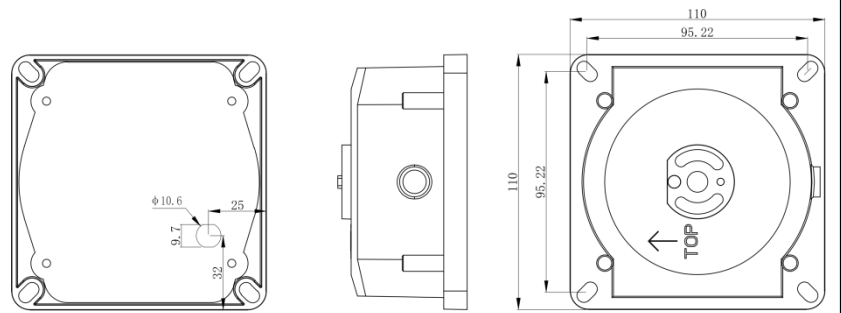
AW-D109 alarm bells are low-current, high-decibel notification appliances for use in fire signaling applications.



Features

- ✓ Low Standby current
- ✓ High decibel rating
- ✓ Reliable communication protocol

Installation



Technical Specification

Model	AW-D109
Operating voltage	18~28VDC @Loop
Operating current(@Loop 24VDC)	Standby status≤3mA, Alarm status≤50mA
Wiring	The promise of two bus system(Loop in, Loop out)
Alarm SPL	≥98 dB @1m
Environmental	Temperature range: -10~50°C (14~122°F) Humidity: 5 to 95% RH, non-condensing
Materials and colors	ABS(Base),Iron, Red
Mating host	AW-FP100 series fire alarm control panel
Size(L*W)	110mm* 110mm
Net weight	About 630g