

AW-D106 is an intelligent horn strobe, which can be configured with Asenware Addressable Fire Alarm Control Panel.

Each point (device) can be given specific ID, when the panel enters fire alarm condition, which allows the panel to give a audible and visual signal to the specific location .

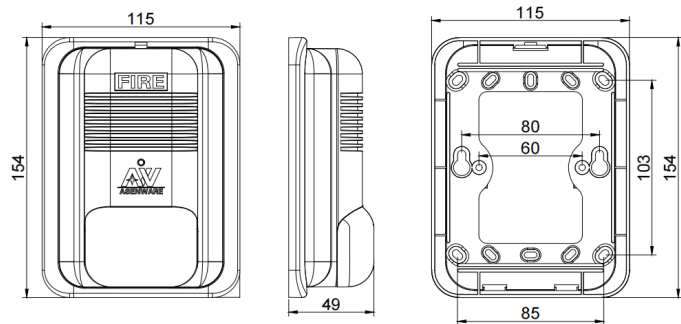
AW-D106 horn strobe are low-current, high-decibel notification appliances for use in fire signaling applications.



Features

- ✓ Low Standby current
- ✓ High decibel rating
- ✓ Flash period of 1 sec
- ✓ Reliable communication protocol

Installation



Technical Specification

Model	AW-D106
Operating voltage	20~28VDC @Loop
Operating current(@Loop 24VDC)	Standby status≤8mA, Alarm status≤70mA
Wiring	The promise of two bus system(Loop in, Loop out)
Alarm SPL	≥100 dB @1m
Flash period	1.0 sec
Environmental	Temperature range: -10~55°C (14~131°F) Humidity: 5 to 95% RH, non-condensing
Materials and colors	ABS, Red
Mating host	Asenware fire alarm control panel
Size(L*W*H)	154mm* 115mm*49mm
Weight	About 195g