

AW-CTD382EX-4W explosion-proof 4-wire conventional heat detector uses thermal component to detect the temperature changing in the environment. It can enable fire alarm when the temperature difference achieved the setting rate of rise temperature value or/and the temperature achieved fixed temperature.

It is designed to provide open area protection and to be used with the AW-CFP2166 conventional fire alarm panel and the panels from other manufacturer.

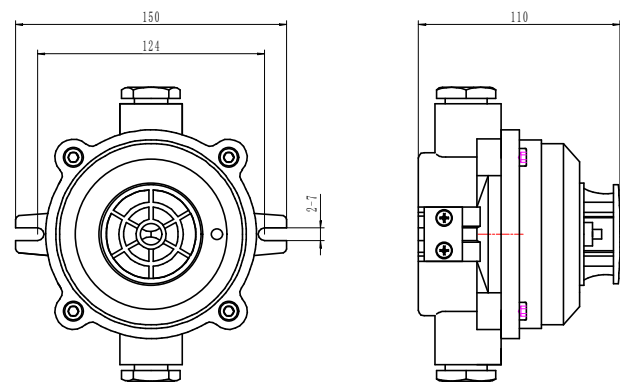
The detector that initiated the alarm condition will have its red LED and relay latched until reset by panel.



Features

- ✓ LED indicator
- ✓ Excellent explosion-proof performance
- ✓ Meets all requirements of latest EN54-7:2000 and EN54-5:2000
- ✓ Easy Installation

Installation



Model	AW-CTD382EX-4W
Operating Voltage	9~28VDC
Operating current(@ 24VDC)	NO Standby current ≤ 120uA, Alarm current ≤ 20mA NC Standby current ≤ 12mA, Alarm current ≤ 5mA
Application	For indoor use only
Wiring	Terminal 6: DC24V Terminal 5: DC24V Terminal 3: Alarm output Terminal 2: Alarm output
Fix Temperature Alarm	57°C (135°F) A1R
Rate of Rise Alarm	7.1°C/5s A1R
Environmental	Temperature range: -10 to 50°C (14~122°F) Humidity: 5 to 95% RH, non-condensing
Materials and colors	Cast iron, ABS, White
Alarm relay output capacity	500mA @DC30V
Size	150mm* 150mm* 110mm
Weight	About 1.2kg
Ex-Atex Protection Level	Gb/ExibDtDA21IP65T85
Outlet thread	2-G3/4