

The AW-CSS2168EX Strobe-Sounder have excellent explosion-proof performance. it is suitable for hazardous locations which include explosive gas environment.

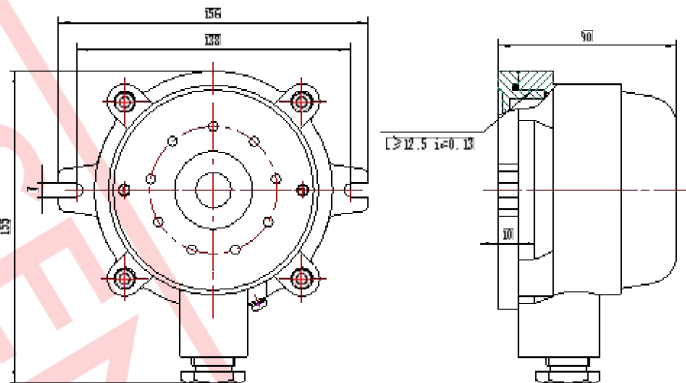
The AW-CSS2168EX can be used with manual alarm button to make up a simple alarm-system. And it can be used with the most fire alarm panel system

The light source of the AW-CSS2168EX explosion-proof strobe sounder is composed of a number of ultra-bright LED, which is eye-catching, long life and low power consumption.



Features

- ✓ Adopts the most advanced stainless steel wire
- ✓ Mesh explosion-proof element
- ✓ Low sound attenuation
- ✓ Large circulation capacity
- ✓ High mechanical strength
- ✓ Large safety factor
- ✓ Ultra-bright LED



Technical Specification

Explosion-proof Level:	Exd II CT6 Gb/ ExtD A21 IP65 T85°C
Voltage	DC24V
Alarm current	≤250mA
Sound (SPL)	75dB ~ 95dB
Sound form:	Fire sound
Protection level	IP65
Environmental	Temperature: -20°C ~ + 50°C; Relative humidity: ≤95%,no condensation Atmospheric pressure: 80kPa ~ 110kPa
Outlet thread	G3/4
Weight	2.5kg