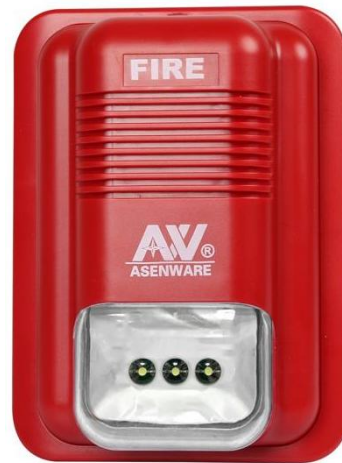


The AW-CSS2166-2 horn strobe is mainly designed to be use with fire alarm control panel AW-CFP2166.

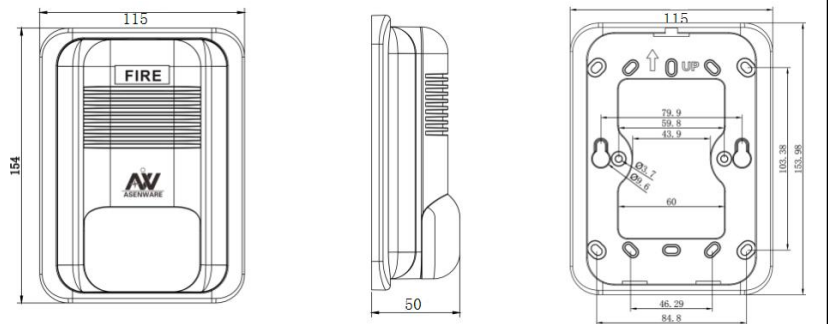
The fire alarm is horn strobe a kind of terminal device for alarm; it is used for the sound & light alarm when the fire happens.



Features

- ✓ Surface mounting
- ✓ Complete functional test with every activation
- ✓ 2 type sounds(Fire mode and T3 mode)
- ✓ Meets all requirements of latest EN54-3&EN54-23

Installation



Technical Specification

Model	AW-CSS2166-2
Operating Voltage	12VDC-24VDC
Operating current	≤50mA @24VDC
Alarm SPL	≥100dB @1m
Flash Period	≤1.0s
Protection class	IP30
Environmental	Temperature range: -10 to 50°C (14~122°F) Humidity: 0 to 95% RH, non-condensing
Materials and colors	ABS red
Application	For indoor use only
Mating Host	AW-CFP2166 fire alarm control panel
Size	154mm* 115mm* 50mm
Weight	About 165g